

**XUV Gator™ Utility  
Vehicle 850D (Diesel)**



**JOHN DEERE**

**PARTS CATALOG**

**XUV Gator™ Utility Vehicle  
850D (Diesel)**

**PC9619 (JUL-11) English**

**John Deere Horicon Works**

**Worldwide Edition**

Litho in U.S.A. (Revised)

COPYRIGHT © 2011

DEERE & COMPANY

Moline, Illinois

All rights reserved



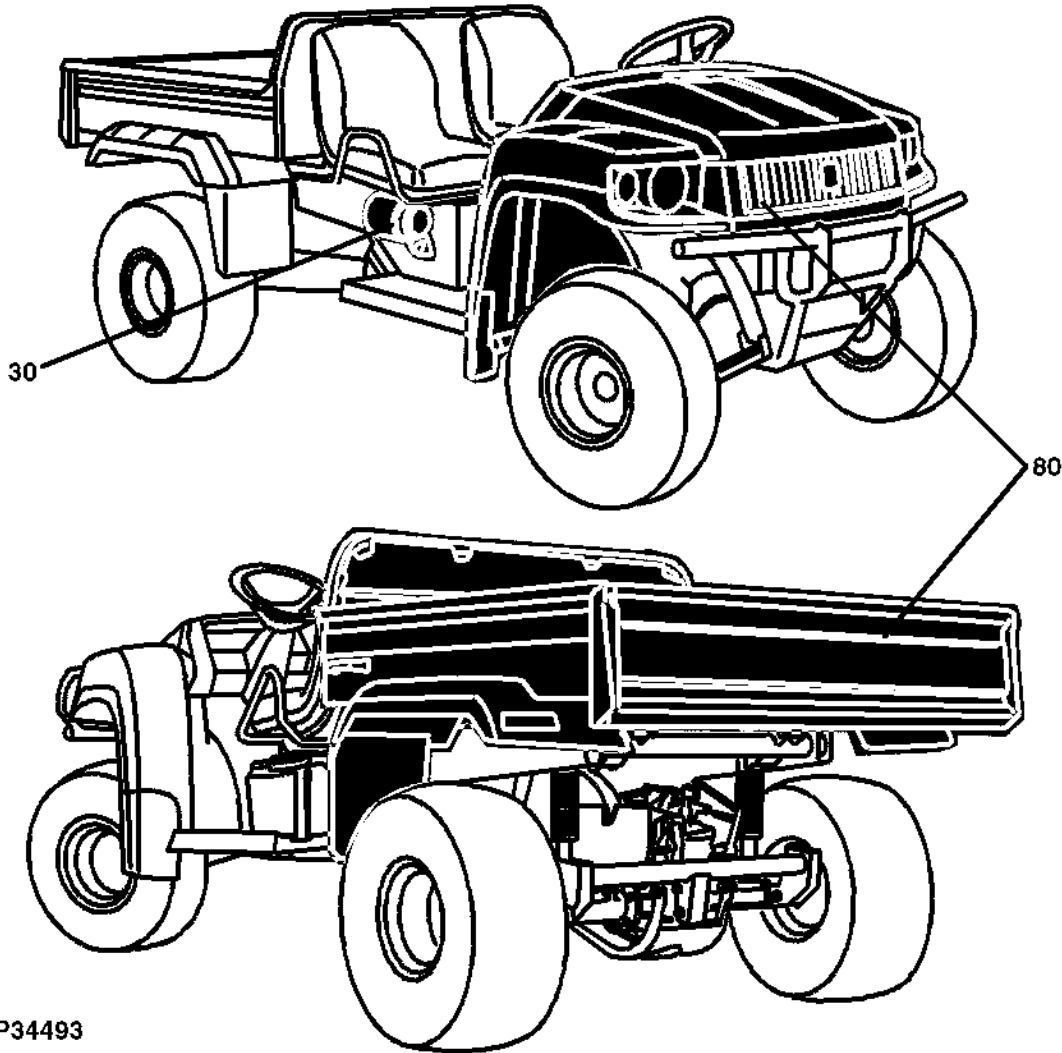
# 10-A01

XUV GATOR UTILITY VEHICLE 850D (DIESEL)

PRIMARY INDEX - SECTION 30, 80  
INDEX PRINCIPAL - SECTION 30, 80  
HAUPTINDEX - ABSCHNITT 30, 80  
INDICE PRINCIPALE - SEZIONE 30, 80  
INDICE DE MATERIAS - SECCION 30, 80  
HUVUDFORTECKNING - AVSNITT 30, 80

MP34493 -UN-

20-	A01
30-	A01
40-	A01
50-	A01
50-	A02
60-	A01
80-	A01
91-	A01



MP34493

# 10-A02

XUV GATOR UTILITY VEHICLE 850D (DIESEL)

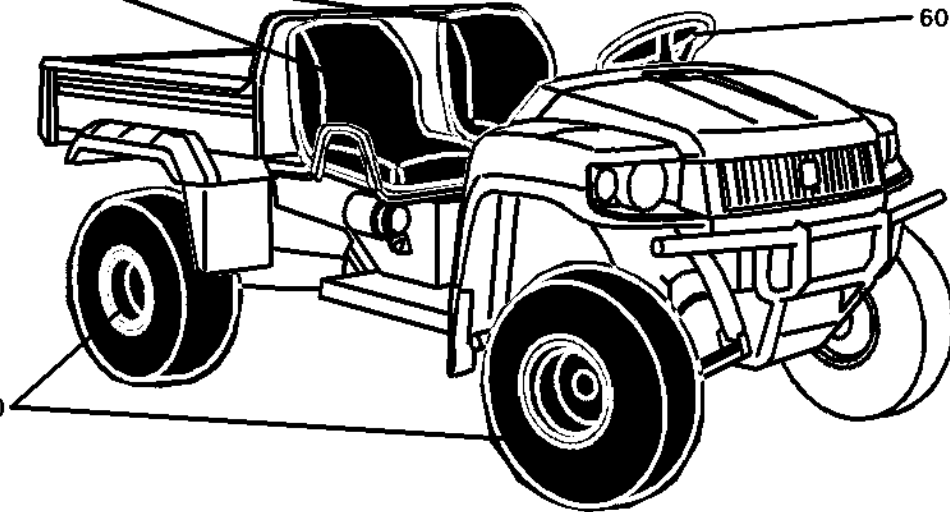
PRIMARY INDEX - SECTION 30, 50, 60, 80  
INDEX PRINCIPAL - SECTION 30, 50, 60, 80  
HAUPTINDEX - ABSCHNITT 30, 50, 60, 80  
INDICE PRINCIPALE - SEZIONE 30, 50, 60, 80  
INDICE DE MATERIAS - SECCION 30, 50, 60, 80  
HUVUDFORTECKNING - AVSNITT 30, 50, 60, 80

MP39429 -UN-

80

80

60



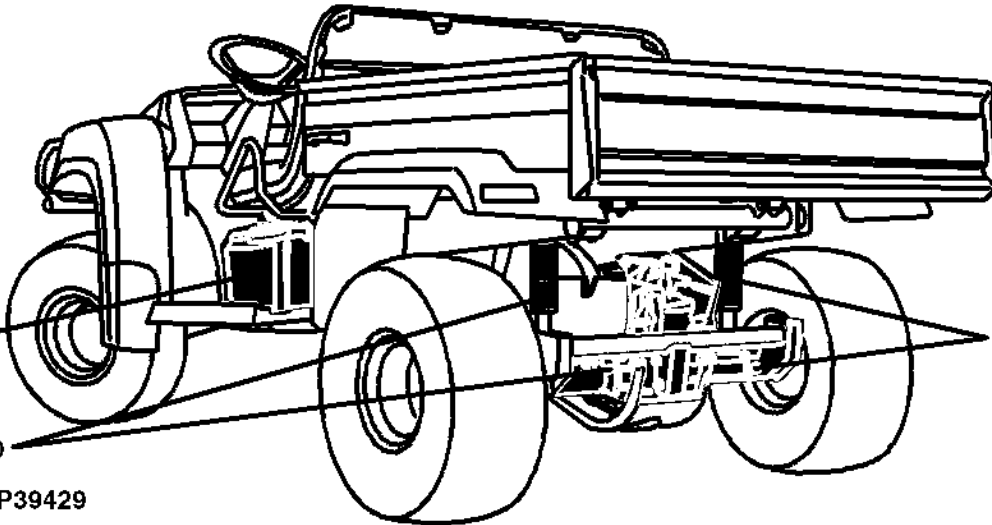
20-	A01
30-	A01
40-	A01
50-	A01
50-	A02
60-	A01
80-	A01
91-	A01

30

50

50

MP39429



**Thanks very much for your reading,  
Want to get more information,  
Please click here, Then get the complete  
manual**

**JustClickHere** 

**NOTE:**

**If there is no response to click on the link above,  
please download the PDF document first, and then  
click on it.**

**Have any questions please write to me:  
[admin@servicemanualperfect.com](mailto:admin@servicemanualperfect.com)**

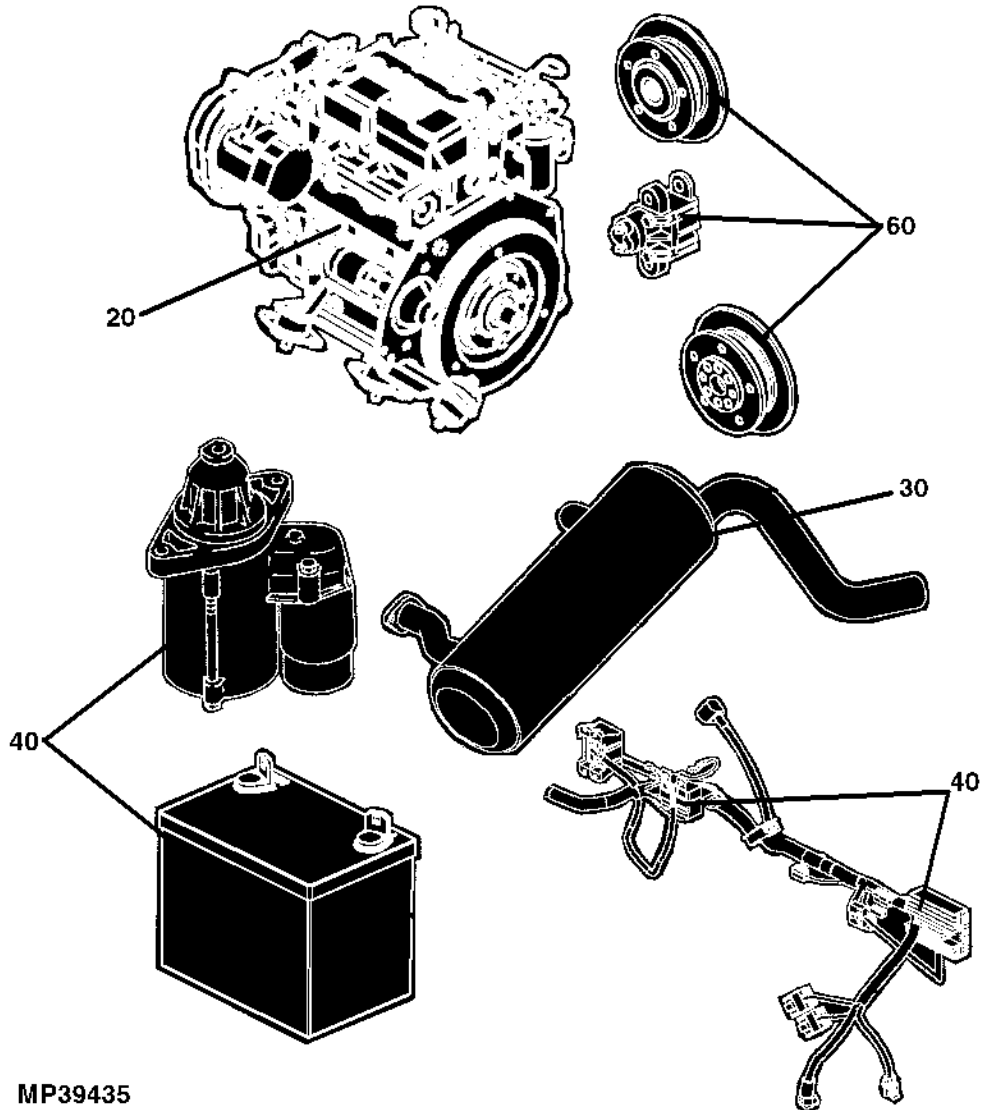
# 10-A03

XUV GATOR UTILITY VEHICLE 850D (DIESEL)

PRIMARY INDEX - SECTION 20, 30, 40, 60  
INDEX PRINCIPAL - SECTION 20, 30, 40, 60  
HAUPTINDEX - ABSCHNITT 20, 30, 40, 60  
INDICE PRINCIPALE - SEZIONE 20, 30, 40, 60  
INDICE DE MATERIAS - SECCION 20, 30, 40, 60  
HUVUDFORTECKNING - AVSNITT 20, 30, 40, 60

MP39435 -UN-

20-	A01
30-	A01
40-	A01
50-	A01
50-	A02
60-	A01
80-	A01
91-	A01

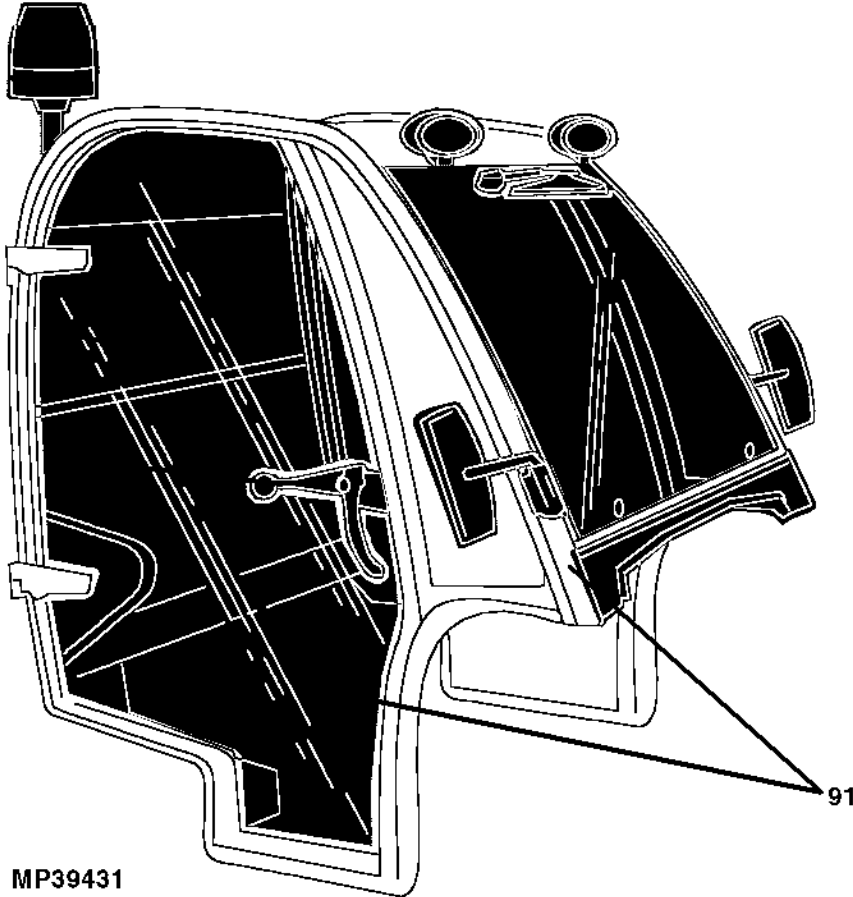


# 10-A04

XUV GATOR UTILITY VEHICLE 850D (DIESEL)

PRIMARY INDEX - CAB 91  
INDEX PRINCIPAL - CABINE 91  
HAUPTINDEX - KABINE 91  
INDICE PRINCIPALE - CABINA 91  
INDICE DE MATERIAS - CABINA 91  
HUVUDFORTECKNING - HYTT 91

MP39431 -UN-



20-	A01
30-	A01
40-	A01
50-	A01
50-	A02
60-	A01
80-	A01
91-	A01



## **XUV GATOR UTILITY VEHICLE 850D (DIESEL)**

2007 MODEL (SN M0XUVDX010001-020000) (LESS TIRES) (GREEN)  
2008 MODEL (SN M0XUVDX020001-030755) (LESS TIRES) (GREEN)  
2009 MODEL (SN M0XUVDX030756-080000) (LESS TIRES) (GREEN)  
2010 MODEL (SN M0XUVDE080001-999999) (LESS TIRES) (GREEN)  
2010 MODEL (SN M0XUVDB080001-999999) (LESS TIRES) (GREEN) (BRAZIL)

2007 MODEL (SN M0XUVDT010001-020000) (LESS TIRES) (OLIVE)  
2008 MODEL (SN M0XUVDT020001-030064) (LESS TIRES) (OLIVE)  
2009 MODEL (SN M0XUVDT030065-080000) (LESS TIRES) (OLIVE)  
2010 MODEL (SN M0XUVDH080001-999999) (LESS TIRES) (OLIVE)

2008 MODEL (SN M0XUVDC020001-030000) (LESS TIRES) (CAMO)  
2009 MODEL (SN M0XUVDC030001- ) (LESS TIRES) (CAMO)

*(SPECIFICATIONS AND DESIGN SUBJECT TO CHANGE WITHOUT NOTICE)*



# 10-2

XUV GATOR UTILITY VEHICLE 850D (DIESEL)

## TRANSLATED REMARKS

MP30119 -UN-18DEC02

PHRASE	ENGLISH	FRANCAIS	DEUTSCH	ITALIANO	ESPAÑOL	SVENSKA
ALSO ORDER, ORD W/	Also order	Commander aussi	Ebenso bestellen	Ordinare anche	Pedir también	Beställ även
AMP	Ampere	Ampère	Ampere	Ampere	Amperio	Ampere
AND	And	Et	Und	E	Y	Och
APPL, APPL ONLY	This application only	Uniquement pour cette utilisation	Nur für diese Anwendung	Solo per questa applicazione	Solo para este propósito	Endast för denna användning
AR	As required	Selon le besoin	Nach Bedarf	Secondo necessità	Según necesidad	Vid behov
ASSY	Complete assembly	Ensemble complet	Kompl.-Zusammenbau	Gruppo completo	Montaje completo	Komplett montering
CA, CONVENIENCE ASSY	Convenience assembly	Ensemble convenance	Komfort-Zusammenbau	Montaggio pratico	Montaje de conveniencia	Lämplig montering
CCW	Counter-clockwise	Sens anti-horaire	Gegen Uhrzeigersinn	Senso antiorario	A la izquierda	Moturs
COMPLETE	Complete	Complet	Vollständig	Completo	Completo	Fullständig
COMPLETE GOODS	Complete goods	Compléter marchandises	Vollst. Waren	Merci complete	Mercancías completas	Kompleta varor
CUT TO LENGTH	Cut to length	Couper à la longueur	Auf Länge zurechtschneiden	Tagliare alla lunghezza	Corte a la longitud	Skära till längd
CW	Clockwise	Sens horaire	Im Uhrzeigersinn	In senso orario	A la derecha	Medurs
FOR	For	Pour	Für	Per	Para	För
FRONT	Front	Avant	Vorn	Anteriore	Frente	Fram
GAS	Gasoline	Essence	Benzin	Benzina	Gasolina	Bensin
HP	Horsepower	Puissance en cv	Leistung	Potenza	Potencia	Hästkraft
HS, HEAD MARKED	High strength, head marked	Haute résistance, tête marquée	Hochfest, vorn gekennzeichnet	Contrassegnato in testa, ad alta resistenza	Alta fuerza, marca en cabeza	Hög styrka, huvudmärkt
HS, SAE	High strength, SAE rating	Haute résistance, SAE	Hochfest, SAE-Nennwert	Ad alta resistenza, potenza SAE	Alta fuerza, SAE	Hög styrka, SAE
ID	Inside diameter	Diamètre intérieur	Innendurchmesser	Diametro interno	Diá. interior	Innerdiameter
INCH	Inch	Pouce	In.	Pollice	Pulg.	Tum
INCL KEYS	Includes keys...	Comprend les positions...	Einschließlich Schlüssel...	Include le chiavette...	Incluye posiciones...	Inklusive nycklar...
INCL, INCLUDES	Includes...	Comprend...	Enthält...	Include...	Incluye...	Inkluderar...
INCLUDES PARTS/ ITEMS MARKED	Includes parts/items marked...	Comprend les pièces/articles marqués...	Enthält gekennzeichnete Teile/Pos. ...	Include i pezzi e gli elementi contrassegnati...	Incluye piezas marcadas...	Inkluderar markerade delar/artiklar...
INNER	Inner	Intérieur	Innerer	Interno	Interno	Inre, invändig
KIT	Kit	Kit	Kit	Kit	Juego	Sats
L	Number of links	Nombre de maillons	Anzahl der Glieder	Numero di maglie	Nº de eslabones	Antal länkar
LGTH	Length	Longueur	Länge	Lunghezza	Longitud	Längd
LH	Left-hand	Gauche	Links	Sinistra	Izquierda	Vänster
LOW, LOWER	Lower	Inférieur	Unterer	Inferiore	Inferior	Nedre

MP30119

## TRANSLATED REMARKS

MP30120

-UN-18DEC02

PHRASE	ENGLISH	FRANCAIS	DEUTSCH	ITALIANO	ESPAÑOL	SVENSKA
MAKE FROM, MF	Make from	Faireavec	Herstellen von	Fabbricare da	Hacer de	Tillverka av
MARKED	Marked	Marqué	Markiert	Contrassegnato	Marcado	Märkt
MATCHED SET	Matched set	Ensemble assorti	Passender Satz	Set abbinato	Sistema emparejado	Anpassad sats
MFWD	Mechanical front wheel drive	Traction avant mécanique	Mechanischer Frontradantrieb	Trazione anteriore meccanica	Tracción mecánica delantera	Mekanisk framhjulsdraft
MRWD	Mechanical rear wheel drive	Traction arrière mécanique	Mechanischer Hinterradantrieb	Trazione posteriore meccanica	Tracción mecánica trasera	Mekanisk bakhjulsdraft
NA, NOT USED THIS APPL	Not used this application	Ne sert pas pour cette application	In dieser Anwendung nicht benutzt	Non usato in questa applicazione	No se usa en esta aplicación	Ej använd i detta sammanhang
NLA	No longer available	Epuisé	Nicht mehr lieferbar	Non più disponibile	Descontinuado	Ej längre tillgänglig
NSEP	Not supplied separately	Non livré séparément	Nicht einzeln lieferbar	Non fornito separatamente	No se suministra por separado	Kan ej erhållas separat
OD	Outside diameter	Diamètre extérieur	Außerdurchmesser	Diametro esterno	Diá. exterior	Ytterdiameter
OPTIONAL	Optional	En option	Wahlweise	Opzionale	Opcional	Valfri
OR	Or	Ou	Oder	Oppure	O	Eller
ORD, ORDER	Order	Commander	Bestellen	Ordinare	Pídase	Order
OS	Oversize	Sur-dimension	Übergröße	Maggiorato	Sobretamaño	Överdimension
OUTER	Outer	Externe	Äußerer	Esterno	Externo	Yttre, utvändig
PKG, PACKG	Package, Packet of	Emballage, paquet de	Verpackung, verpackt mit	In confezione da	Paquete de	I sats; paket
RATIO	Ratio	Rapport	Übersetzungsverhältnis	Rapporto	Índice	Förhållande
REAR	Rear	Arrière	Hinten	Posteriore	Trasero	Bak; bakre
REPL	Replaces	Remplace	Ersetzt	Sostituisce	Sustituye	Ersätter
RH	Right-hand	Droit	Rechts	Destra	Derecha	Höger
SN	Serial number	Numéro de série	Seriennummer	Numero di serie	Nº de serie	Seriennummer
STD	Standard	Standard	Standard	Standard	Normal	Standard
SUB	Replaced by	Remplacé par	Ersetzt durch	Sostituito da	Sustituido por	Ersatt med
SUB COMPONENTS	Substitute components (of the kit or assy)	Substituer les composants (du kit ou de l'ensemble)	Komponenten ersetzen (des Kits oder der Baugruppe)	Sostituire i componenti (del kito del gruppo)	Sustituir los componentes	Ersätta komponenterna (i satsen eller monteringen)
SUB FOR	Substitutes for	Remplace	Ersatz für	Sostituisce	Sustitución para	Ersätter
TEETH, Z	Number of gear teeth	Nombre de dents d'engrenages	Zahl der Zahnradzähne	Numero di denti dell'ingranaggio	Nº de dientes de engranaje	Antal redskapständer
TK	Thickness	Épaisseur	Stärke	Spessore	Espesor	Tjocklek
UP, UPPER	Upper	Supérieur	Oberer	Superiore	Superior	Övre
US	Undersize	Sous-dimension	Untergröße	Minorato	Subtamaño	Underdimension
USE WITH	Use with	À utiliser avec	Verwenden mit	Usare con	Usar con	Använd med
USE UNTIL EXHAUSTED	Use until exhausted	Utilisation jusqu'à épuisé	Verwenden, bis erschöpft	Usare fino all'esaurimento	Usar hasta agotar	Använda till uttömd
W/	With	Avec	Mit	Con	Con	Med; inklusive
W/O	Without	Sans	Ohne	Senza	Sin	Utan; exklusiv
WHOLE GOODS	Whole goods	Marchandises entières	Vollständige Waren	Merci intere	Mercancías enteras	Hela varor

MP30120

## PRODUCT IDENTIFICATION AND SERIAL NUMBER PLATE

AN INDIVIDUAL PRODUCT IDENTIFICATION AND SERIAL NUMBER IS ASSIGNED TO EACH MACHINE. WHEN WRITING ABOUT OR FILLING OUT WARRANTY CLAIMS, USE ALL THE CHARACTERS SHOWN ON THE PLATE.

EXAMPLE: M0XUVDX010001

M0- FACTORY DESIGNATION (HORICON WORKS)  
XUVD- MODEL OR MACHINE DESIGNATION  
4X4 GATOR UTILITY VEHICLE  
X- CONFIGURATION CODE  
010001- SERIAL NUMBER

## PRODUCT CONFIGURATION CODE

THE CONFIGURATION "ALPHA" CODE IDENTIFIES A VARIATION OF A PRODUCT. (EXAMPLE: A 116 LAWN TRACTOR MAY BE MANUFACTURED AS A HYDROSTATIC OR MANUAL UNIT, AND BE SHIPPED WITH A 970MM OR 1170MM MOWER. FOUR VARIATIONS OF THE 116 LAWN TRACTOR EXIST.)

IT ALSO IDENTIFIES DIFFERENT PRODUCTS WHICH HAVE THE SAME MODEL OR MACHINE DESIGNATION. (EXAMPLE: 216 TRACTOR AND 216 TILLER)

IF NO CONFIGURATION "ALPHA" CODE IS REQUIRED, SPACE IS FILLED IN WITH AN "X".

## SERIAL NUMBER LISTING INFORMATION

SERIAL NUMBER INFORMATION IS LISTED TO SHOW ON WHICH MACHINES EACH PART CAN BE USED; FOR EXAMPLE:

- THE PART CAN BE USED ON ALL MACHINES.  
000000 - THE PART CAN BE USED ON ALL MACHINES BEGINNING WITH THE SERIAL NUMBER LISTED.  
-000000 THE PART CAN BE USED ON ALL MACHINES UP TO AND INCLUDING THE SERIAL NUMBER LISTED.  
000000 -000000 THE PART CAN BE USED ON ALL MACHINES BETWEEN AND INCLUDING THE SERIAL NUMBERS LISTED.

WHEN XXXXXX'S ARE LISTED IN PLACE OF A SERIAL NUMBER, A SERIAL NUMBER CHANGE WAS MADE, BUT THE EXACT SERIAL NUMBER WAS NOT AVAILABLE WHEN THE CATALOG WAS PRODUCED.

## **BOX-ENCLOSED ILLUSTRATIONS**

A KEY NUMBER, SHOWN IN THE PARTS LIST, IS ASSIGNED TO A BOX ENCLOSING ALL PARTS SOLD AS A SERVICE ASSEMBLY.

## **BOLT AND CAP SCREW STRENGTH IDENTIFICATION**

BOLTS AND CAP SCREWS REQUIRED TO HAVE HIGH-STRENGTH QUALITIES EQUIVALENT TO SAE GRADE 8 ARE IDENTIFIED THROUGHOUT THIS CATALOG BY THE DESCRIPTION HS SAE 8 (10.9 FOR METRIC). ALL STANDARD BOLTS AND CAP SCREWS ARE SAE GRADE 5 (METRIC 8.8) OR LOWER.

## **WHOLE GOODS LISTINGS**

WHOLE GOODS ARE LISTED IN BOLD FACE TYPE. REFER TO LAWN AND GROUNDS CARE SALES MANUAL FOR WHOLE GOODS ORDERING INFORMATION. ORDER SEPARATELY. DO NOT INCLUDE ON REPLACEMENT PARTS ORDER.

## **DIRECTION ARROW**

ARROWS ARE USED WITH ILLUSTRATIONS TO INDICATE THE FRONT OF THE UNIT. "RIGHT-HAND" AND "LEFT-HAND" SIDES ARE DETERMINED BY FACING IN THE DIRECTION OF MACHINE FORWARD TRAVEL.

## **TO THE CUSTOMER**

THE PART NUMBERS IN THIS PARTS CATALOG WERE CORRECT AT THE TIME THIS CATALOG WAS PUBLISHED. IT IS OUR POLICY TO CONSTANTLY IMPROVE OUR MACHINES. THEREFORE, PART NUMBERS MAY CHANGE WHEN ORDERING PARTS. VERIFY PART NUMBERS THROUGH YOUR DEALER.

---

*SECTION INDEX*

GENERAL INFORMATION AND ALPHABETICAL INDEX .....	10
ENGINE .....	20
FUEL AND AIR .....	30
ELECTRICAL .....	40
POWER TRAIN .....	50
STEERING AND BRAKES .....	60
FRAME, WHEELS AND OPERATOR'S STATION .....	80
OPERATOR PROTECTION SYSTEM .....	85
HOMOLOGATION KIT .....	89
LABELS .....	90
CAB .....	91
BLADES .....	92
72-INCH ROTARY BROOM .....	93
ATTACHMENTS .....	94
NUMERICAL INDEX .....	95

## ALPHABETICAL INDEX

	PAGE		PAGE
<b>A</b>			
A-ARM, FRONT SUSPENSION .....	60-10	CAMSHAFT (72" ROTARY BROOM) .....	93-6
A-ARM, REAR SUSPENSION .....	60-12	CANOPY (CAB) .....	91-2
ACCELERATOR PEDAL .....	30-11	CAP, FUEL .....	30-2
ADVENTURE LIGHT KIT (OPTIONAL) .....	40-14	CAP, FUEL (72" ROTARY BROOM) .....	93-13
AIR CLEANER .....	30-10	CAP, RADIATOR .....	20-20
AIR FILTER (72" ROTARY BROOM) .....	93-10	CAP, TRANSAXLE FILLER (REAR AXLE) .....	50-6
ALARM, BACK-UP KIT .....	40-8	CARBURETOR (72" ROTARY BROOM) .....	93-9
ALTERNATOR (40 AMP) .....	40-6	CARGO BOX .....	80-6
ARM, TRANSAXLE SHIFT (REAR AXLE) .....	50-8	CASE, DIFFERENTIAL (REAR AXLE) .....	50-12
AXLE SHAFT, FRONT .....	50-14	CASE, TRANSAXLE (REAR AXLE) .....	50-6
AXLE SHAFT, FRONT .....	50-15A	CASTER WHEELS (72" ROTARY BROOM) .....	93-26
AXLE SHAFT, REAR .....	50-16	CE KIT .....	90-8
AXLE SHAFT, REAR .....	50-16A	CHASSIS (ORIGINAL) .....	80-2
<b>B</b>			
BACK-UP ALARM KIT .....	40-8	CHASSIS (SERVICE REPLACEMENT) .....	80-3A
BAR, FRONT ANTI-ROLL .....	60-10	CLOSEOUT PANEL (CAB) .....	91-6
BASE, SEAT .....	80-4	CLOSEOUT PANEL (CAB) (SN XXXXXX-) .....	91-7A
BATTERY, TRAY, HOLD DOWN STRAP AND CABLES .....	40-5	CLUTCH (EXPORT) .....	89-8
BEACON LIGHT KIT (CAB) .....	91-16	CLUTCH (72" ROTARY BROOM) .....	93-20
BEARING, MAIN, ENGINE (72" ROTARY BROOM) .....	93-4	CLUTCH HOUSING, FRONT .....	50-2
BEDLINER KIT .....	80-9	CLUTCH, PRIMARY DRIVE .....	50-19
BELT (72" ROTARY BROOM) .....	93-20	CLUTCH, TRANSAXLE DRIVEN .....	50-20
BELT, DRIVE .....	50-18	CLUTCHES AND CLUTCH HOUSING .....	50-18
BELT, FAN .....	20-18	COIL, IGNITION (72" ROTARY BROOM) .....	93-16
BLADE, FRONT MOUNT .....	92-4	CONNECTING ROD .....	20-4
BLOCK HEATER KIT .....	20-24	CONNECTING ROD (72" ROTARY BROOM) .....	93-4
BLOCK, ENGINE .....	20-2	CONNECTOR, TRAILER (HOMOLOGATED) .....	89-6
BLOCK, ENGINE (72" ROTARY BROOM) .....	93-2	CONSOLE, CONTROLS .....	80-4
BLOWER HOUSING, ENGINE (72" ROTARY BROOM) .....	93-8	CONSOLE, DASH .....	80-10
BOX LIFT KIT (OPTIONAL) .....	80-8	CONTROL WIRING HARNESS (72" ROTARY BROOM) .....	93-18
BOX MAT .....	80-18	CONTROLS, THROTTLE AND CHOKE (72" ROTARY BROOM) .....	93-14
BOX RELEASE (CAB) .....	91-19	COVER, CYLINDER HEAD .....	20-10
BOX, CARGO .....	80-6	COVER, UNDER SEAT .....	80-4
BRACKET, CARGO BOX EXTENDER KIT .....	80-23	COVER, VALVE (72" ROTARY BROOM) .....	93-2
BRACKET, UPPER BLADE LIFT .....	92-10	CRANKCASE, ENGINE (72" ROTARY BROOM) .....	93-2
BRAKE LIGHT .....	40-9	CRANKSHAFT .....	20-6
BRAKE PEDAL .....	60-4	CRANKSHAFT (72" ROTARY BROOM) .....	93-4
BRAKE ROTORS, LINES, PADS AND CALIPERS, FRONT .....	60-4	CRANKSHAFT GEAR (72" ROTARY BROOM) .....	93-4
BRAKE ROTORS, LINES, PADS AND CALIPERS, REAR .....	60-5	CYLINDER HEAD .....	20-12
BRAKE SWITCH (HOMOLOGATED) .....	89-2	CYLINDER HEAD COVER .....	20-10
BRAKE, PARKING .....	60-6	CYLINDER, ENGINE (72" ROTARY BROOM) .....	93-2
BRAKE, PARKING .....	60-8	<b>D</b>	
BRUSH FRAME (72" ROTARY BROOM) .....	93-26	DASH PANEL .....	80-10
BRUSH GUARD (OPTIONAL) .....	80-16	DECALS .....	90-1
BRUSH GUARD, HEAVY DUTY (OPTIONAL) .....	80-17	DECALS .....	90-2
BRUSHES (72" ROTARY BROOM) .....	93-26	DECALS (BOX) (CAMO) .....	90-10
BUMPER KIT, REAR .....	80-20	DECALS (FRENCH CANADIAN) .....	90-6
<b>C</b>			
CABLE, DIFFERENTIAL LOCK .....	50-22	DECALS (SPANISH) .....	90-4
CABLE, POSITIVE AND NEGATIVE BATTERY .....	40-5	DECALS (WINCH) .....	94-10
CABLE, THROTTLE .....	30-11	DECALS (72" ROTARY BROOM) .....	93-30
CABLE, WINCH .....	94-4	DECALS (72" ROTARY BROOM) (EXPORT) .....	93-32
CALIPERS, FRONT BRAKE .....	60-4	DELUXE LIGHT KIT .....	40-12
CALIPERS, REAR BRAKE .....	60-5	DIFFERENTIAL GEARS AND CASE (REAR AXLE) .....	50-12
CAMSHAFT .....	20-8	DIFFERENTIAL INTERLOCK SYSTEM .....	60-6
		DIFFERENTIAL INTERLOCK SYSTEM .....	60-8
		DIFFERENTIAL LOCK LINKAGE .....	50-22
		DIFFERENTIAL LOCK SHAFT (REAR AXLE) .....	50-13
		DIFFERENTIAL, FRONT .....	50-2
		DIPSTICK, ENGINE OIL .....	20-14
		DIPSTICK, TRANSAXLE (REAR AXLE) .....	50-6
		DOOR FRAME (CAB) .....	91-6

## ALPHABETICAL INDEX - CONTINUED

	PAGE		PAGE
DOOR FRAME (CAB) (SN XXXXXX-)	91-7A	FRONT AXLE SHAFT	50-14
DOOR HANDLE (HARD) (CAB)	91-8	FRONT AXLE SHAFT	50-15A
DOOR HANDLE (HARD) (CAB) (SN XXXXXX-)	91-9A	FRONT BRAKE ROTORS, LINES, PADS AND CALIPERS	60-4
DOOR HANDLE (SOFT) (CAB)	91-10	FRONT BUMPER	80-2
DOOR, HARD (CAB)	91-8	FRONT DIFFERENTIAL	50-2
DOOR, HARD (CAB) (SN XXXXXX-)	91-9A	FRONT DRIVE (REAR AXLE)	50-4
DOOR, SOFT (CAB)	91-10	FRONT DRIVESHAFT	50-17
DOORS, OPS	85-4	FRONT FENDERS	80-10
DRAIN VALVE, COOLANT	20-18	FRONT HITCH (HOMOLOGATED)	89-10
DRAWBAR (2 INCH)	94-3	FRONT IMPLEMENT LIFT SYSTEM	92-8
DRAWBAR, REAR RECEIVER HITCH	89-11	FRONT MUD FLAPS	80-10
DRIVE AND DRIVEN CLUTCH	50-18	FRONT RECEIVER HITCH	94-2
DRIVE BELT	50-18	FRONT TRANSMISSION	50-2
DRIVE CLUTCH, PRIMARY	50-19	FRONT WORK LIGHTS (CAB)	91-17
DRIVEN CLUTCH, TRANSAXLE	50-20	FUEL FILTER	30-4
DRIVESHAFT	50-17	FUEL GAUGE AND CAP	30-2
DRIVETRAIN FRAME (ORIGINAL)	80-2	FUEL INJECTION PUMP	30-8
DRIVETRAIN FRAME (SERVICE REPLACEMENT)	80-3A	FUEL PUMP	30-8
DUST EJECTOR, AIR CLEANER	30-10	FUEL TANK	30-2
		FUEL TANK (72" ROTARY BROOM)	93-13
<b>E</b>		FULL WINDSHIELD KIT (FOLDING) (OPS) (-XXXXXX)	85-11
ELEMENT, AIR FILTER	30-10	FULL WINDSHIELD KIT (FOLDING) (OPS) (XXXXXX-)	85-11A
ELEMENT, AIR FILTER (72" ROTARY BROOM)	93-10		
ENGINE (72" ROTARY BROOM)	93-2	<b>G</b>	
ENGINE BLOCK	20-2	GARGO BOX FENDER GUARD	80-21
ENGINE BLOWER HOUSING (72" ROTARY BROOM)	93-8	GAS PEDAL	30-11
ENGINE CONTROLS (72" ROTARY BROOM)	93-14	GAS TANK	30-2
ENGINE DRIVE CLUTCH	50-19	GASKET KIT, CYLINDER HEAD	20-22
ENGINE GASKET KITS	20-22	GASKET KIT, ENGINE	20-22
ENGINE ISOLATOR	20-25	GASKET, CYLINDER HEAD COVER	20-10
ENGINE MOUNTING SCREW	20-25	GASKET, ENGINE TO CARBURETOR (72" ROTARY BROOM)	93-9
ENGINE OIL PRESSURE SENSOR	20-14	GASKET, HEAD (72" ROTARY BROOM)	93-2
ENGINE OIL PUMP	20-16	GASKET, MUFFLER (72" ROTARY BROOM)	93-12
EXHAUST	30-9	GASKET, VALVE COVER (72" ROTARY BROOM)	93-2
EXHAUST MANIFOLD	30-12	GAUGE, FUEL	30-2
EXHAUST VALVE (72" ROTARY BROOM)	93-6	GEAR REDUCTION HOUSING (72" ROTARY BROOM)	93-4
		GEAR, CRANKSHAFT (72" ROTARY BROOM)	93-4
<b>F</b>		GEAR, TRANSAXLE REDUCTION (REAR AXLE)	50-10
FAN AND BELT	20-18	GEARCASE	20-16
FAN, RADIATOR	20-20	GEARCASE, FRONT	50-2
FENDER GUARD (OPTIONAL)	80-14	GEARS, DIFFERENTIAL (REAR AXLE)	50-12
FENDER GUARD, CARGO BOX	80-21	GLASS WINDSHIELD KIT, OPS (-XXXXXX)	85-14
FENDER GUARD, HEAVY DUTY (OPTIONAL)	80-15	GLASS WINDSHIELD KIT, OPS (XXXXXX-)	85-14A
FENDERS, FRONT	80-10	GLOVE BOX	80-10
FENDERS, REAR	80-6	GLOW PLUG	20-12
FILLER CAP, TRANSAXLE (REAR AXLE)	50-6	GOVERNOR LINKAGE (72" ROTARY BROOM)	93-14
FILTER, AIR	30-10	GRABLIGHT	94-12
FILTER, AIR (72" ROTARY BROOM)	93-10	GRILLE	80-10
FILTER, ENGINE OIL	20-14	GUARD, FENDER (OPTIONAL)	80-14
FILTER, FUEL	30-4	GUARD, HEAVY DUTY FENDER (OPTIONAL)	80-15
FLANGE, ENGINE MOUNTING	20-6	GUARD, LOAD	80-6
FLYWHEEL	20-6		
FLYWHEEL (72" ROTARY BROOM)	93-16	<b>H</b>	
FORK, DIFFERENTIAL LOCK (REAR AXLE)	50-13	HALF WINDSHIELD KIT (FOLDING) (OPS) (-XXXXXX)	85-11B
FOUR WHEEL DRIVE DRIVESHAFT	50-17		
FRAME (CAB)	91-6		
FRAME (CAB) (SN XXXXXX-)	91-7A		
FRAME (OPS)	85-2		
FRAME, BLADE	92-4		
FRAME, MAIN (ORIGINAL)	80-2		
FRAME, MAIN (SERVICE REPLACEMENT)	80-3A		
FRAME, MAIN AND BRUSH (72" ROTARY BROOM)	93-26		

## ALPHABETICAL INDEX - CONTINUED

	PAGE		PAGE
HALF WINDSHIELD KIT (FOLDING) (OPS) (XXXXXX- )	85-12	KIT, CE	90-8
HANDLE, DIFFERENTIAL LOCK	50-22	KIT, GASKET, CARBURETOR (72" ROTARY BROOM)	93-9
HANDLE, DOOR (HARD) (CAB)	91-8	KIT, HOME MAINTENANCE	20-26
HANDLE, DOOR (HARD) (CAB) (SN XXXXXX-)	91-9A	KIT, HORN (HOMOLOGATED)	89-5
HANDLE, DOOR (SOFT) (CAB)	91-10	KIT, HORN (SN -XXXXXX)	40-10
HANDLE, RECOIL STARTER (72" ROTARY BROOM)	93-15	KIT, HORN (SN XXXXXX- )	40-11
HANDLE, SHIFT	50-22	KIT, RECOIL STARTER (72" ROTARY BROOM)	93-15
HARD DOOR (CAB)	91-8	KNUCKLE, REAR SUSPENSION	60-12
HARD DOOR (CAB) (SN XXXXXX-)	91-9A		
HARNESS, WIRE (WINCH)	94-8	<b>L</b>	
HARNESS, WIRING (GRABLIGHT)	94-12	LABEL, WINCH	94-4
HAZARD SWITCH (HOMOLOGATED)	89-2	LABELS	90-1
HEAD LIGHT SWITCH (OPS)	40-15	LABELS	90-2
HEAD, CYLINDER	20-12	LABELS (BOX) (CAMO)	90-10
HEAD, ENGINE CYLINDER (72" ROTARY BROOM)	93-2	LABELS (FRENCH CANADIAN)	90-6
HEADLIGHT	80-10	LABELS (SPANISH)	90-4
HEADLIGHT (HOMOLOGATED)	89-2	LABELS (WINCH)	94-10
HEADLIGHT SWITCH	40-2	LABELS (72" ROTARY BROOM)	93-30
HEADLIGHT SWITCH (HOMOLOGATED)	89-2	LABELS (72" ROTARY BROOM) (EXPORT)	93-32
HEAT SHIELD	80-6	LEVER, DIFFERENTIAL LOCK	50-22
HEATER (CAB)	91-12	LEVER, SHIFT	50-22
HEATER KIT, BLOCK	20-24	LICENSE PLATE BRACKET (HOMOLOGATED)	89-6
HINGE, SEAT MOUNTING	80-4	LICENSE PLATE LIGHT (HOMOLOGATED)	89-6
HITCH KIT, REAR	89-11	LIFT FRAME (BLADE)	92-6
HITCH, FRONT (HOMOLOGATED)	89-10	LIFT FRAME (72" ROTARY BROOM)	93-28
HITCH, FRONT RECEIVER	94-2	LIFT KIT (OPTIONAL)	80-8
HOME MAINTENANCE KIT	20-26	LIFT SWITCH	40-2
HOOD	80-10	LIFT SYSTEM, FRONT IMPLEMENT	92-8
HOOD RACK	80-22	LIGHT KIT, ADVENTURE (OPTIONAL)	40-14
HOOK (WINCH)	94-6	LIGHT KIT, DELUXE	40-12
HORN KIT (HOMOLOGATED)	89-5	LIGHT KIT, OPS	85-8
HORN KIT (SN -XXXXXX)	40-10	LIGHT MATERIAL EXTENSION KIT	80-19
HORN KIT (SN XXXXXX- )	40-11	LIGHT, BEACON (CAB)	91-16
HOSE, AIR INTAKE	30-10	LIGHT, LICENSE PLATE (HOMOLOGATED)	89-6
HOSE, RADIATOR	20-20	LIGHT, TAIL/BRAKE	40-9
HOURLY METER	40-2	LINES, FRONT BRAKE	60-4
HOUSING, CLUTCH	50-18	LINES, FUEL INJECTOR	30-6
HOUSING, TRANSAXLE (REAR AXLE)	50-6	LINES, FUEL PUMP	30-4
HOUSING, UPRIGHT (REAR SUSPENSION)	60-12	LINES, REAR BRAKE	60-5
HYDRAULIC LIFT KIT (OPTIONAL)	80-8	LINKAGE, GOVERNOR (72" ROTARY BROOM)	93-14
HYDRAULIC PUMP, MOTOR AND LINES (72" ROTARY BROOM)	93-22	LINKAGE, SHIFT	50-22
		LINKAGE, THROTTLE AND CHOKE (72" ROTARY BROOM)	93-14
<b>I</b>		LOAD GUARD	80-6
IGNITION COIL (72" ROTARY BROOM)	93-16	LOCK, CARGO BOX LATCH	80-4
IGNITION KEY	40-2	LOCK, DIFFERENTIAL (REAR AXLE)	50-13
IGNITION MODULE	40-2		
IMPLEMENT LIFT ARM (BLADE)	92-6	<b>M</b>	
IMPLEMENT LIFT ARM (72" ROTARY BROOM)	93-28	MAIN BEARING, ENGINE (72" ROTARY BROOM)	93-4
INJECTION LINES AND NOZZLE, FUEL	30-6	MAIN FRAME (ORIGINAL)	80-2
INPUT SHAFT (REAR AXLE)	50-6	MAIN FRAME (SERVICE REPLACEMENT)	80-3A
INSTRUMENT PANEL	80-10	MAIN FRAME (72" ROTARY BROOM)	93-26
INSULATOR, CARBURETOR (72" ROTARY BROOM)	93-9	MAIN WIRING HARNESS (HOMOLOGATED)	89-2
INTAKE VALVE (72" ROTARY BROOM)	93-6	MAIN WIRING HARNESS (72" ROTARY BROOM)	93-24
ISOLATOR, ENGINE	20-25	MAINTENANCE KIT	20-26
		MARKERS, PLOW	92-7
<b>K</b>		MASTER CYLINDER	60-4
KEY, IGNITION	40-2	MAT, BOX	80-18
KIT, BACK-UP ALARM	40-8	MIRROR (HOMOLOGATED)	89-7
KIT, BEDLINER	80-9	MIRRORS (CAB)	91-2
KIT, CARGO BOX EXTENDER	80-23	MODULE, IGNITION	40-2
		MOTOR, HYDRAULIC (72" ROTARY BROOM)	93-22



## ALPHABETICAL INDEX - CONTINUED

	PAGE		PAGE
MOTOR, WINCH.....	94-4	RACK, STEERING.....	60-2
MOUNTING FLANGE, ENGINE.....	20-6	RADIATOR.....	20-20
MOUNTING SCREW, ENGINE.....	20-25	RAILS, SEAT.....	80-4
MUD FLAPS, FRONT.....	80-10	RANGE SHIFT, TRANSAXLE (REAR AXLE).....	50-8
MUFFLER.....	30-9	REAR AXLE SHAFT.....	50-16
MUFFLER (72" ROTARY BROOM).....	93-12	REAR AXLE SHAFT.....	50-16A
MUFFLER GUARD (72" ROTARY BROOM).....	93-12	REAR BRAKE ROTORS, LINES, PADS AND CALIPERS.....	60-5
<b>N</b>			
NEGATIVE AND POSITIVE BATTERY CABLE.....	40-5	REAR BUMPER KIT.....	80-20
NEUTRAL START SWITCH, TRANSAXLE (REAR AXLE).....	50-8	REAR FENDERS.....	80-6
NOISE REDUCTION KIT (CAB).....	91-20	REAR HITCH (2 INCH).....	94-1
NOZZLE, FUEL INJECTOR.....	30-6	REAR HITCH KIT.....	89-11
<b>O</b>			
OIL FILTER, ENGINE.....	20-14	REAR PANEL, OPS.....	85-4
OIL PAN, ENGINE.....	20-14	REAR RECEIVER HITCH DRAWBAR.....	89-11
OIL PRESSURE SWITCH.....	20-14	REAR SCREEN (OPS).....	85-6
OIL PUMP, ENGINE.....	20-16	REAR VIEW MIRROR (HOMOLOGATED).....	89-7
OPERATOR PRESENCE SWITCH (72" ROTARY BROOM).....	93-18	REAR WINDOW (CAB).....	91-14
OPERATOR PROTECTION SYSTEM (OPS).....	85-2	REAR WINDOW (CAB) (SN XXXXXX-).....	91-14A
OPS GLASS WINDSHIELD KIT (-XXXXXX).....	85-14	REAR WORK LIGHTS (CAB).....	91-18
OPS GLASS WINDSHIELD KIT (XXXXXX-).....	85-14A	RECOIL STARTER (72" ROTARY BROOM).....	93-15
OPS LIGHT KIT.....	85-8	REDUCTION SHAFT (REAR AXLE).....	50-10
OPS REAR PANEL AND DOORS.....	85-4	REEL, RECOIL STARTER (72" ROTARY BROOM).....	93-15
OPS STEREO KIT.....	85-13	RELAY.....	40-2
<b>P</b>			
PADS, FRONT BRAKE.....	60-4	RELAYS (72" ROTARY BROOM).....	93-24
PADS, REAR BRAKE.....	60-5	REMAN ALTERNATOR 12V-40A.....	40-6
PAN, ENGINE OIL.....	20-14	REMAN STARTER MOTOR.....	40-4
PARK BRAKE AND HANDLE.....	60-6	REMOTE BOX RELEASE (CAB).....	91-19
PARK BRAKE AND HANDLE.....	60-8	RESERVOIR, WASHER (CAB).....	91-15
PARKING BRAKE COVER (REAR AXLE).....	50-10	REVERSE SHAFT.....	50-9
PEDAL, GAS.....	30-11	RINGS, PISTON (72" ROTARY BROOM).....	93-4
PISTON (72" ROTARY BROOM).....	93-4	ROCKER ARM SHAFT.....	20-11
PISTONS AND RINGS.....	20-4	ROCKER ARM, ENGINE (72" ROTARY BROOM).....	93-6
PLATE, SUPPORT (WINCH).....	94-6	ROCKER COVER, ENGINE (72" ROTARY BROOM).....	93-2
PLOW MARKERS.....	92-7	ROD, CONNECTING.....	20-4
POSITION LIGHT (HOMOLOGATED).....	89-2	ROD, CONNECTING (72" ROTARY BROOM).....	93-4
POSITIVE AND NEGATIVE BATTERY CABLE.....	40-5	ROD, PUSH, ENGINE (72" ROTARY BROOM).....	93-6
POWER OUTLET.....	40-2	ROD, SHIFT LINKAGE.....	50-22
POWER WIRING HARNESS (72" ROTARY BROOM).....	93-18	ROOF KIT (OPS).....	85-7
PROTECTION SYSTEM, OPERATOR (OPS).....	85-2	ROPE, RECOIL STARTER (72" ROTARY BROOM).....	93-15
PULL STARTER (72" ROTARY BROOM).....	93-15	<b>S</b>	
PULLEY, RECOIL STARTER (72" ROTARY BROOM).....	93-15	SCREEN, REAR (OPS).....	85-6
PULLEYS (72" ROTARY BROOM).....	93-20	SEAL, CRANKSHAFT (72" ROTARY BROOM).....	93-2
PUMP, ENGINE OIL.....	20-16	SEAL, REAR CRANKSHAFT.....	20-6
PUMP, FUEL INJECTION.....	30-8	SEAT.....	80-4
PUSH ROD, ENGINE (72" ROTARY BROOM).....	93-6	SEAT BELT (CAB).....	91-2
PUSHROD.....	20-8	SEAT PLATFORM (HOMOLOGATED).....	89-9
<b>R</b>			
RACK, HOOD.....	80-22	SEAT WIRING HARNESS (72" ROTARY BROOM).....	93-18
		SENSOR, ENGINE OIL PRESSURE.....	20-14
		SHAFT, FRONT AXLE.....	50-15A
		SHAFT, ROCKER ARM.....	20-11
		SHAFT, TRANSAXLE DIFFERENTIAL LOCK (REAR AXLE).....	50-13
		SHAFT, TRANSAXLE REDUCTION (REAR AXLE).....	50-10
		SHAFT, TRANSAXLE REVERSE.....	50-9
		SHEAVE, TRANSAXLE DRIVEN.....	50-20
		SHIELD, FRONT CV BOOT.....	60-10
		SHIELD, REAR CV BOOT.....	60-12
		SHIFT ARM, TRANSAXLE (REAR AXLE).....	50-8
		SHIFT LEVER, KNOB AND LINKAGE.....	50-22
		SHOCK ABSORBER, REAR SUSPENSION.....	60-12
		SHORT BLOCK (72" ROTARY BROOM).....	93-2
		SHROUD, FAN.....	20-20
		SHUTOFF, FUEL (72" ROTARY BROOM).....	93-13

## ALPHABETICAL INDEX - CONTINUED

	PAGE		PAGE
SIDE WINDOW (HARD) (CAB) .....	91-8		
SIDE WINDOW (HARD) (CAB) (SN XXXXXX-) .....	91-9A		
SIDE WINDOW (SOFT) (CAB) .....	91-10		
SOFT DOOR (CAB) .....	91-10		
SPARK ARRESTOR (72" ROTARY BROOM) .....	93-12		
SPARK PLUG (72" ROTARY BROOM) .....	93-16		
SPRING, SHIFT LINKAGE .....	50-22		
SPRING, VALVE (72" ROTARY BROOM) .....	93-6		
STABILIZER, FRONT SUSPENSION .....	60-10		
STARTER .....	40-4		
STARTER, RECOIL (72" ROTARY BROOM) .....	93-15		
STEERING KNUCKLE .....	60-10		
STEERING WHEEL AND SHAFT .....	60-2		
STEREO KIT, OPS .....	85-13		
STRAIGHT BLADE .....	92-4		
STRAP, BATTERY HOLD DOWN .....	40-5		
STRUT .....	60-10		
STUD, CARBURETOR MOUNTING (72" ROTARY BROOM) .....	93-9		
SUPPORT PLATE (WINCH) .....	94-6		
SWITCH, BACK-UP ALARM .....	40-8		
SWITCH, COOLANT TEMPERATURE .....	20-18		
SWITCH, HEADLIGHT .....	40-2		
SWITCH, HORN (HOMOLOGATED) .....	89-5		
SWITCH, HORN (SN -XXXXXX) .....	40-10		
SWITCH, HORN (SN XXXXXX- ) .....	40-11		
SWITCH, IGNITION .....	40-2		
SWITCH, LIFT .....	40-2		
SWITCH, OIL PRESSURE .....	20-14		
SWITCH, RADIATOR FAN .....	20-20		
SWITCH, TRANSAXLE NEUTRAL START (REAR AXLE) .....	50-8		
SWITCHES (HOMOLOGATED) .....	89-2		
SWITCHES (72" ROTARY BROOM) .....	93-18		
<b>T</b>			
TAIL GATE .....	80-6		
TAILLIGHT .....	40-9		
TAILLIGHT (HOMOLOGATED) .....	89-4		
TANK, COOLANT OVERFLOW .....	20-20		
TANK, FUEL .....	30-2		
TANK, FUEL (72" ROTARY BROOM) .....	93-13		
THERMOSTAT .....	20-18		
THROTTLE AND CHOKE CONTROLS (72" ROTARY BROOM) .....	93-14		
THROTTLE CABLE .....	30-11		
TIRES AND WHEELS .....	80-12		
TRACTION DRIVE (72" ROTARY BROOM) .....	93-20		
TRAILER CONNECTOR (HOMOLOGATED) .....	89-6		
TRANSAXLE (REAR AXLE) .....	50-6		
TRANSAXLE DIFFERENTIAL LOCK SHAFT (REAR AXLE) .....	50-13		
TRANSAXLE DRIVEN CLUTCH .....	50-20		
TRANSAXLE HOUSING (REAR AXLE) .....	50-6		
TRANSAXLE RANGE SHIFT (REAR AXLE) .....	50-8		
TRANSAXLE REDUCTION SHAFT (REAR AXLE) .....	50-10		
TRANSAXLE REVERSE SHAFT .....	50-9		
TRANSMISSION (REAR AXLE) .....	50-6		
TRANSMISSION, FRONT .....	50-2		
TRAY, BATTERY .....	40-5		
TUBE, COOLANT .....	20-20		
TUNNEL COVER .....	80-10		
TURN SIGNALS KIT .....	40-12		
TURN SWITCH (HOMOLOGATED) .....	89-2		
		<b>U</b>	
		UPPER BLADE BRACKET LIFT .....	92-10
		UTILITY BOX .....	80-10
		<b>V</b>	
		V-BLADE, MOUNTING BRACKETS, AND MOLDBOARDS .....	92-2
		VALVE COVER (72" ROTARY BROOM) .....	93-2
		VALVE SPRING (72" ROTARY BROOM) .....	93-6
		VALVE, COOLANT DRAIN .....	20-18
		VALVE, FUEL SHUTOFF (72" ROTARY BROOM) .....	93-13
		VALVES, INTAKE AND EXHAUST .....	20-12
		VALVES, INTAKE AND EXHAUST (72" ROTARY BROOM) .....	93-6
		VISOR (CAB) .....	91-2
		VOLTAGE REGULATOR .....	40-6
		VOLTAGE REGULATOR .....	40-2
		<b>W</b>	
		WASHER PUMP (CAB) .....	91-15
		WASHER RESERVOIR (CAB) .....	91-15
		WASHER WINDSHIELD (CAB) .....	91-15
		WATER PUMP .....	20-18
		WHEEL, STEERING .....	60-2
		WHEELS (72" ROTARY BROOM) .....	93-26
		WHEELS AND TIRES .....	80-12
		WINCH .....	94-4
		WINDSHIELD, GLASS, OPS (-XXXXXX) .....	85-14
		WINDSHIELD, GLASS, OPS (XXXXXX- ) .....	85-14A
		WINDOW, REAR (CAB) .....	91-14
		WINDOW, REAR (CAB) (SN XXXXXX-) .....	91-14A
		WINDOW, SIDE (HARD) (CAB) .....	91-8
		WINDOW, SIDE (HARD) (CAB) (SN XXXXXX-) .....	91-9A
		WINDOW, SIDE (SOFT) (CAB) .....	91-10
		WINDSCREEN KIT (FOLDING) (OPS) (-XXXXXX) .....	85-11B
		WINDSHIELD AND WIPER (CAB) .....	91-4
		WINDSHIELD KIT (FOLDING) (OPS) (-XXXXXX) .....	85-11
		WINDSHIELD KIT (OPS) .....	85-10
		WINDSHIELD KIT, FULL (FOLDING) (OPS) (XXXXXX- ) .....	85-11A
		WINDSHIELD KIT, HALF (FOLDING) (OPS) (XXXXXX- ) .....	85-12
		WINDSHIELD WASHER (CAB) .....	91-15
		WIPER, WINDSHIELD (CAB) .....	91-4
		WIRE HARNESS (WINCH) .....	94-8
		WIRING HARNESS (CAB) .....	91-2
		WIRING HARNESS (GRABLIGHT) .....	94-12
		WIRING HARNESS, HORN (SN -XXXXXX) .....	40-10
		WIRING HARNESS, HORN (SN XXXXXX- ) .....	40-11
		WIRING HARNESS, MAIN .....	40-2
		WIRING HARNESS, MAIN (HOMOLOGATED) .....	89-2
		WORK LIGHT (ROOF)(OPS) .....	40-15
		WORK LIGHTS, FRONT (CAB) .....	91-17
		WORK LIGHTS, REAR (CAB) .....	91-18

MEMORANDA  
MEMORANDA  
MEMORANDA  
MEMORANDA  
MEMORANDA  
MEMORANDA

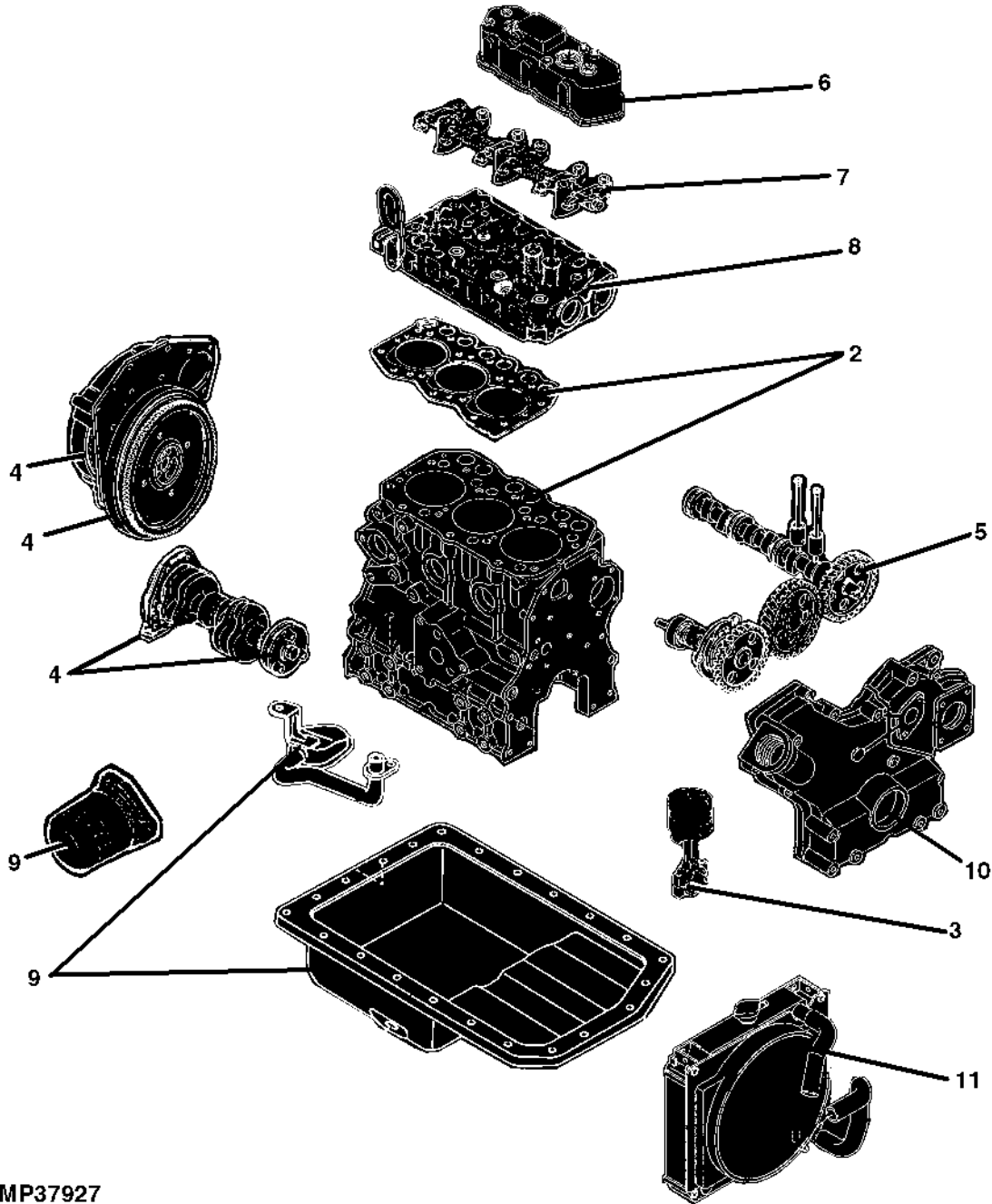
# 20-A01

ENGINE

SECTIONAL INDEX  
 INDEX DE SECTION  
 GRUPPENINDEX  
 INDICE DELLA SEZIONE  
 INDICE DE SECCION  
 GRUPPSFORTECKNING

MP37927 -UN-

2-	2
3-	4
4-	6
5-	8
6-	10
7-	11
8-	12
9-	14
10-	16
11-	20



MP37927